

## Carbon Dioxide Monitor

Model: **G01-CO2-B3** Series

CO2 + Temperature + Humidity Monitor/Controller



- Real time carbon dioxide detection and monitoring
- Temperature and humidity detection and display
- Three-color backlight LCD
- Optional display 24h average CO2 and max. CO2
- Provide optional 1x on/off output to control a ventilator
- Provide optional Modbus RS485 communication
- Wall mounting or desktop placement
- High quality, excellent performance
- CE-approval

### Features

- ◆ Real time monitoring room carbon dioxide
- ◆ NDIR infrared CO<sub>2</sub> sensor inside with special Self Calibration. It makes the CO<sub>2</sub> measurement more accurate and more reliable.
- ◆ More than 10 years lifetime of CO<sub>2</sub> sensor
- ◆ Temperature and humidity monitoring
- ◆ Three-color (Green/Yellow/ Red) LCD backlight indicates ventilation level  
-optimal/moderate/poor based on the CO<sub>2</sub> measurements
- ◆ Buzzer alarm available/disable selected
- ◆ Optional display 24h average and max. CO<sub>2</sub>
- ◆ Provide optional 1xrelay output to control a ventilator
- ◆ Provide optional Modbus RS485 communication
- ◆ Touch button for easy operation
- ◆ 24VAC/VDC or 100~240V power supply
- ◆ wall mounting or desktop placement available
- ◆ High quality with the excellent performance, best choice for schools and offices
- ◆ CE-approval

## Applications

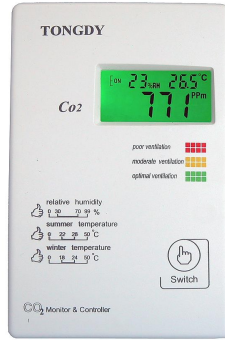
G01-CO<sub>2</sub> monitor is used to monitor indoor CO<sub>2</sub> concentration as well as temperature and humidity. It's installed on the wall or on the desktop

- ◆ Schools, offices, hotels
- ◆ Shops, restaurants, hospitals, theaters
- ◆ Air ports, train stations, other public places
- ◆ Apartments, houses
- ◆ All ventilation systems

## Specifications

Power supply	100~240VAC or 10~24VAC/VDC
Consumption	3.5 W max. ; 2.5 W avg.
Gas detected	Carbon Dioxide (CO <sub>2</sub> )
Sensing element	Non-Dispersive Infrared Detector (NDIR)
Accuracy@25°C (77°F)	±50ppm + 3% of reading
Stability	<2% of FS over life of sensor (15 yr typical)
Calibration interval	ABC Logic Self Calibration Algorithm
NDIR life	15 years
Response Time	<2 minutes for 90% step change
Signal update	Every 2 seconds
Warm up time	<3 minutes (operation)
CO <sub>2</sub> measuring range	0~5,000ppm
CO <sub>2</sub> Display resolution	1ppm
3-color backlight for CO <sub>2</sub> range	Green : <1000ppm Yellow: 1001~1400ppm Red: >1400ppm
LCD Display	Real time CO <sub>2</sub> , Temp &RH Extra 24h average/max/min CO <sub>2</sub> (optional)
Temperature measuring range	-20~60°C (-4~140°F)
Humidity measuring range	0~99%RH
Relay output (optional)	One relay output with rated switching current: 3A, resistance load
Operation conditions	-20~60°C (32~122°F); 0~95%RH, non condensing
Storage conditions	0~50°C (14~140°F), 5~80%RH
Dimensions/ Weight	130mm(H)×85mm(W)×36.5mm(D) / 200g
Housing and IP class	PC/ABS fireproof plastic material, protection class: IP30
Installation	Desktop and wall mounting(65mm×65mm or 2"×4" wire box)
Standard	CE-Approval

## Housing and LCD

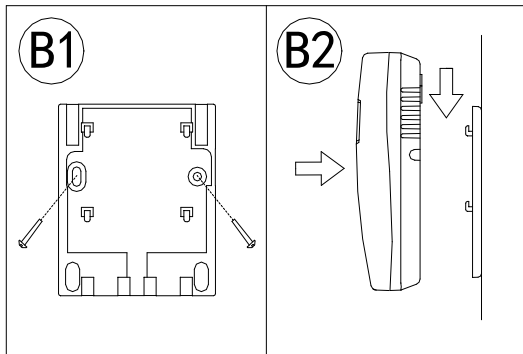
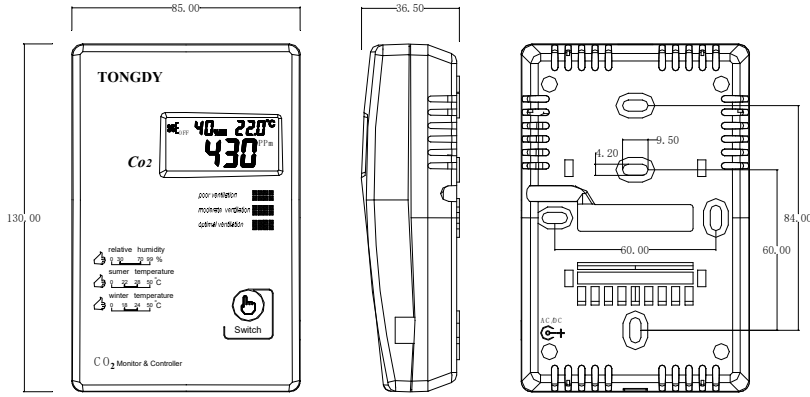


## Models Guide

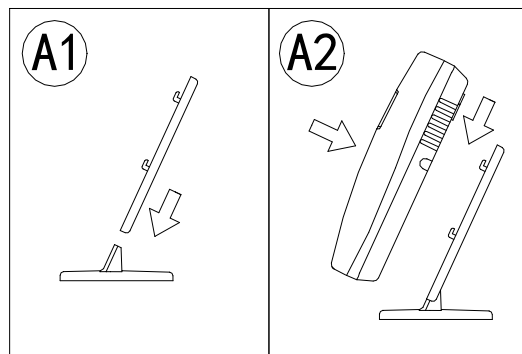
Model	Description	Display (3-color backlight)	Power Supply	Type
<b>G01-CO2-B320C</b>	CO2 monitor buzzer alarm available	CO2, Temp & RH	18~24VAC/VDC	Wall mounting
<b>G01-CO2-B320D</b>	CO2 monitor buzzer alarm available	CO2, Temp & RH	100~240VAC	Wall mounting
<b>G01-CO2-B320D-ML</b>	CO2 monitor	CO2, Temp & RH CO2 24h avg./ max / min	100~240VAC	Wall mounting
<b>G01-CO2-B330C</b>	CO2 monitor buzzer alarm available	CO2, Temp & RH	18~24VAC/VDC with a power adaptor	Wall mounting
<b>G01-CO2-B332C</b>	CO2 monitor buzzer alarm available	CO2, Temp & RH	18~24VAC/VDC with a power adaptor	Desktop
<b>G01-CO2-B332C-ML</b>	CO2 monitor	CO2, Temp & RH CO2 24h avg./ max / min	18~24VAC/VDC with a power adaptor	Desktop
<b>G01-CO2-B340C</b>	CO2 monitor/controller, buzzer alarm available, 1 on/off output;	CO2, Temp & RH	18~24VAC/VDC	Wall mounting
<b>G01-CO2-B340D</b>	CO2 monitor/controller, buzzer alarm available, 1 on/off output;	CO2, Temp & RH	100~240VAC	Wall mounting
<b>G01-CO2-B370C</b>	CO2 monitor, Modbus RS485 interface	CO2, Temp & RH	18~24VAC/VDC with a DC socket	Wall mounting
<b>G01-CO2-B380C</b>	CO2 monitor/controller, 1 on/off output; Modbus RS485 interface	CO2, Temp & RH	18~24VAC/VDC	Wall mounting
<b>Optional Accessories</b>				
<b>870</b>	Power adaptor	Input:100~240VAC, Output: DC 24V/ 240mA	Just for G01-CO2-B370C	
<b>921</b>	Wall mounting plate	Accessory for wall mounting		

922	Desktop bracket	As be the desktop type	Just for G01-CO2-B330C or G01-CO2-B370C
-----	-----------------	------------------------	--

## Mounting and Dimensions



Wall mounting-base bracket (921)



Desktop-bracket (922)

## Wiring Diagram

